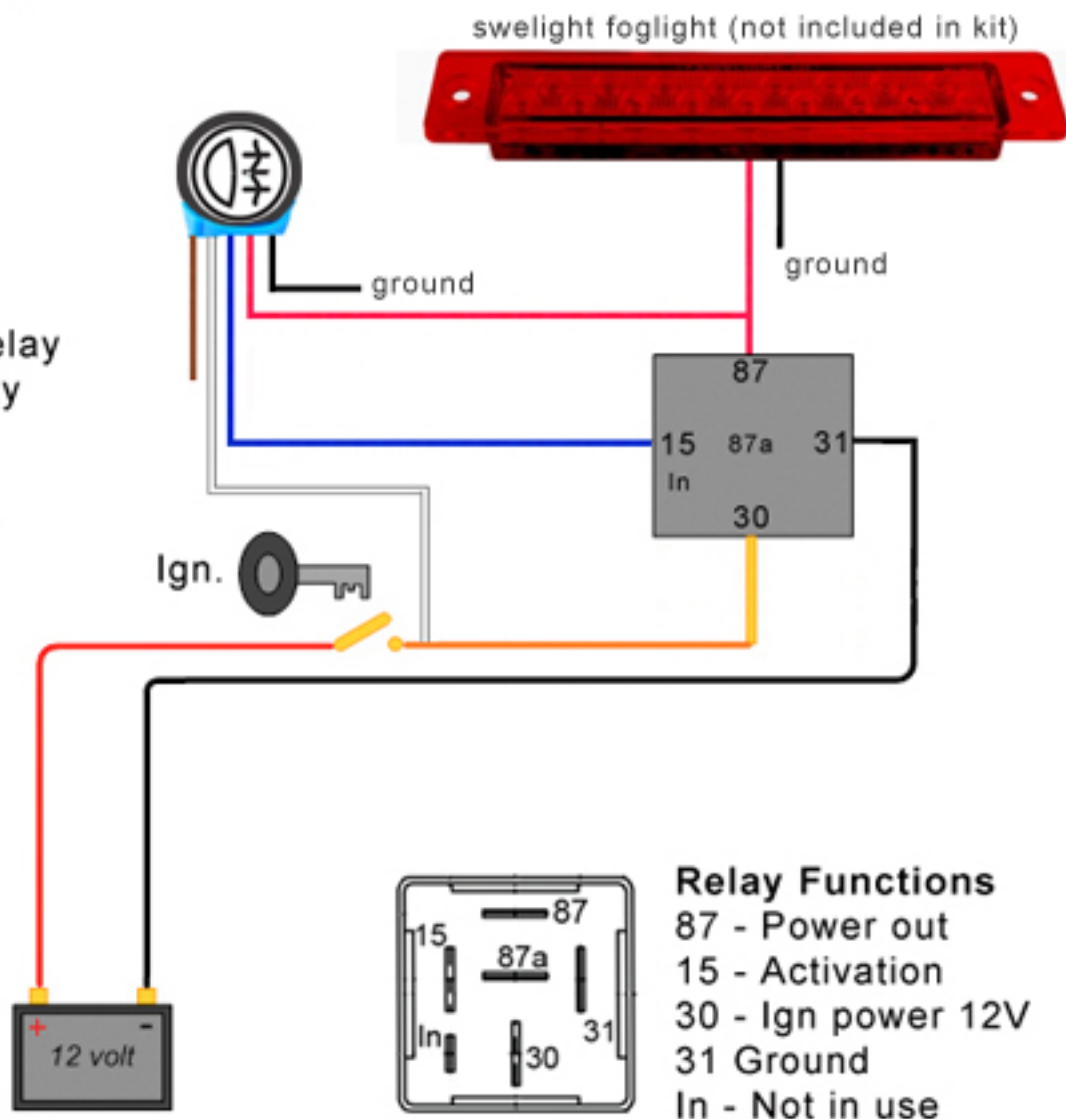


Foglight Installation

- CTX Momental foglight switch
- CTX Foglight relay 12V
- CTX switch socket

Switch socket wires

- Black - Ground
- Red - power out from relay
- Blue - Activation of relay
- White - Ign Power
- Brown - Not in use.



The momental switch activates and deactivates the relay, yellow light in switch when activated.

If ignition power turns off and on again the relay stays off until activated by switch.

